

## QBM-300-4300

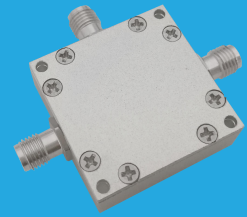
300~4300MHz

### Features:

- \* Low Conversion Loss
- \* High Isolation

### Applications:

- \* Wireless
- \* Transceiver
- \* Laboratory Test
- \* Broadcast



### Electrical

LO/RF Frequency:	300~4300MHz
LO Input Power:	+13dBm typ.
IF Frequency:	DC~1000MHz
Conversion Loss:	8.5dB max.
LO & RF Isolation:	20dB min.
LO & IF Isolation:	7dB min.

### Mechanical

Size*1:	32*32*10mm 1.26*1.26*0.394in
Connectors:	SMA Female

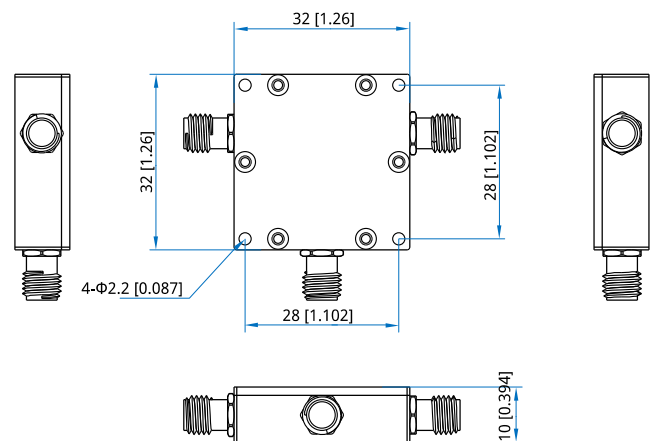
[1] Exclude connectors.

### Environmental

Operating Temperature:	-55~+100°C
Non-operating Temperature:	-55~+100°C

### Outline Drawings

(The dimension might be changed to 30\*30mm)



Unit: mm [in]

Tolerance: ±0.2mm [±0.008in]

### How To Order

**QBM-300-4300**

Customization is available upon request.